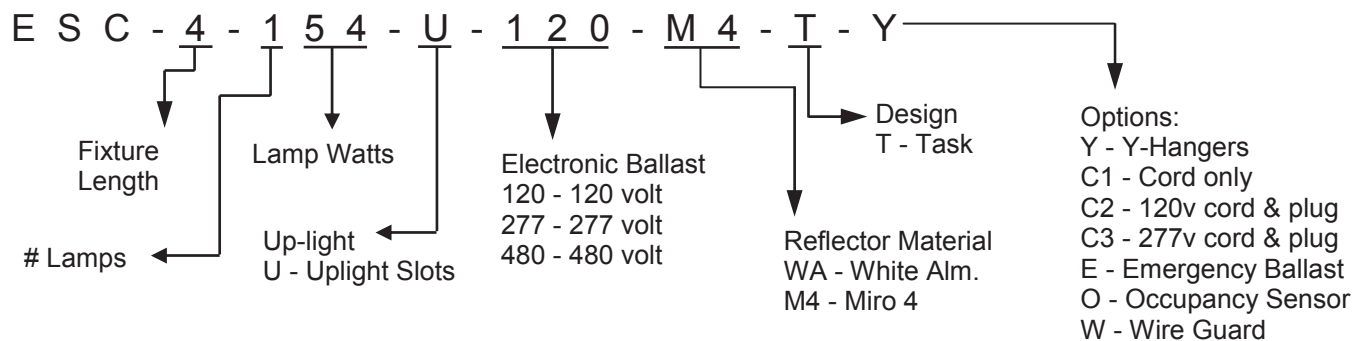


ENHANCED STRIP CHANNEL T5 HO



FEATURES

- INSTANT RESTRIKE
- UPLIGHT OPTION
- UNIBODY CONSTRUCTION
- HIGHER EFFICIENCIES
- HIGH CRI
- DIMMING OCCUPANCY SENSOR AND EMERGENCY OPTIONS AVAILABLE
- IMPROVED LUMEN MAINTENANCE
- EXTENDED LAMP & BALLAST LIFE
- COMPACT DESIGN
- 480 VOLT OPTION



APPLICATION

Energy efficient T5 HO fluorescent lighting designed for tight task application.

Ideal for industrial task and high narrow stack aisle applications.

Suitable for pendant, surface or chain mount.

CONSTRUCTION

Unibody aluminum construction in .032 Miro 4 or 90% White.

End cap and lampholder bracket assembly riveted to body for strength and rigidity.

Ballast chamber vented for heat removal increasing ballast life.

Custom stainless steel Y-hanger option for chain hanging installation.

Aluminum ballast covers are secured in place with quarter turnlocks.

Lampholders are injection molded rotating camlock design.

Only quality name brand, program start, electronic high output ballasts are used.

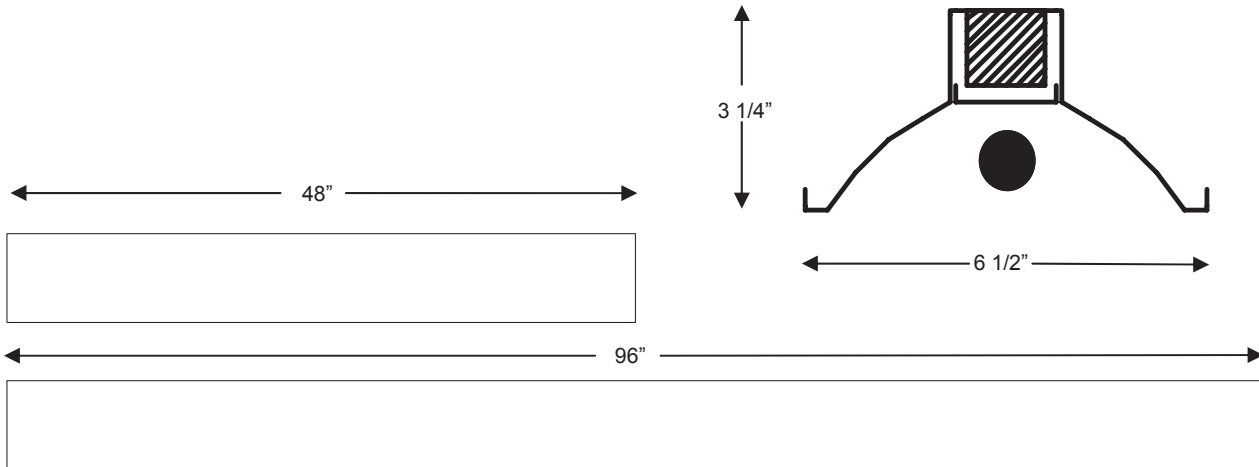
ESC fixtures and electrical components are U.L. listed.

Mor-Lite, Inc.

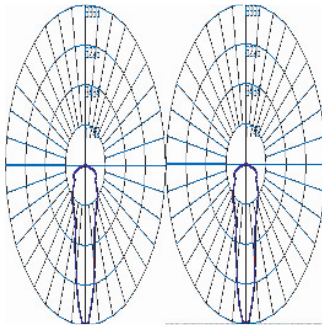
email: johnhuebner@mor-lite.com

Greenville, SC · Park City, UT · Houston, TX

801.597.8300 · Fax 435.604.7056 · www.mor-lite.com



Spacing Criteria along 1.24
 Spacing Criteria across 0.48



Zonal Lumen Summary

Zone	Lumens	%Lamp	%Fixt
0-30	3450.33	34.50	36.30
0-40	5059.32	50.60	53.20
0-60	7830.39	78.30	82.40
0-90	9506.89	95.10	100.00
90-120	0.00	0.00	0.00
90-130	0.00	0.00	0.00
90-150	0.00	0.00	0.00
90-180	0.00	0.00	0.00
0-180	9506.89	95.10	100.00

Total Luminaire Efficiency = 95.10%

HIGH BAY REPLACEMENT GUIDE, QUICK REFERENCE
 SAMPLE 8 FT. WIDE STACK AISLE

ESC System Fixture Spacing	ESC-8-254 117 Watts			ESC-8-454* 234 Watts		
	15	20	25	15	20	25
	Maintained Footcandles*			Maintained Footcandles*		
50' High	12	9	7	25	20	16
45' High	14	11	9	28	23	18
40' High	15	13	11	34	26	21
35' High	20	15	12	40	31	24
30' High	23	18	15	49	38	30
25' High	28	23	18	60	46	36

*ESC-8-454 calculated using two ESC-8-254 side by side

*Horizontal footcandles calculated at 2.5 ft.. Reflectances ceiling - .5, walls - .3, floor - .1

* T5 ESC calculations based on 4,500 lumens with Miro-4 reflector

Actual results may vary up or down depending on several factors

Quick reference chart based on ESC versions without Up-Light

Mor-Lite, Inc.

email: johnhuebner@mor-lite.com

Greenville, SC · Park City, UT · Houston, TX

801.597.8300 · Fax 435.604.7056 · www.mor-lite.com